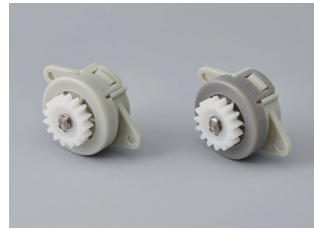


Product lineup



Product image



TD62(G-L)



TD62W



TD62W(G-L)

Features

- Middle torque range of our continuous rotation dampers
- Outer mounting diameter of $\varnothing 25$ mm
- Facilitates easy centering during mounting
- A wide variety of torques

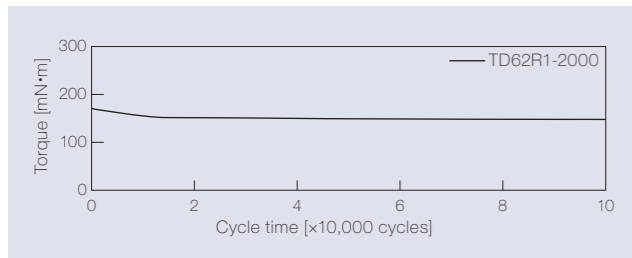
Product name	Torque [mN·m] (lbf·in)	Damping direction	Cap color
TD62R1-300	30.0 ± 9 (0.27 ± 0.08)	CW	Dark gray
TD62R1-600	60.0 ± 15 (0.53 ± 0.13)		
TD62R1-900	90.0 ± 18 (0.80 ± 0.16)		
TD62R1-1500	150.0 ± 30 (1.33 ± 0.27)		
TD62R1-2000	200.0 ± 40 (1.77 ± 0.35)		

Product name	Torque [mN·m] (lbf·in)	Damping direction	Cap color
TD62L1-300	30.0 ± 9 (0.27 ± 0.08)	CCW	Gray
TD62L1-600	60.0 ± 15 (0.53 ± 0.13)		
TD62L1-900	90.0 ± 18 (0.80 ± 0.16)		
TD62L1-1500	150.0 ± 30 (1.33 ± 0.27)		
TD62L1-2000	200.0 ± 40 (1.77 ± 0.35)		

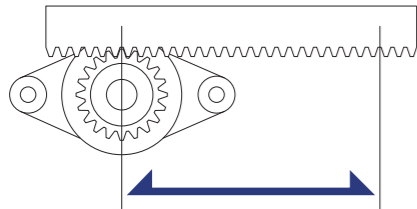
The torque of all rotary dampers is measured at a rotational speed of 30 min⁻¹.
The products without gear have "(G-L)" at the end of the product name.
Bidirectional type products have "W" instead of "R" (or "L") in their names.

Product specifications

Durability

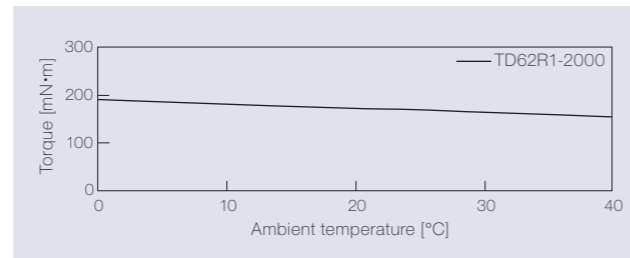


Measurement of torque at a rotation speed of 30 min⁻¹



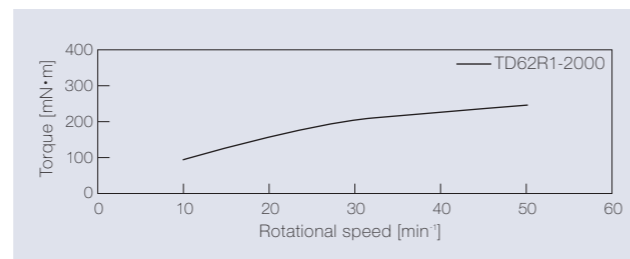
Test method	Rack-and-pinion
Travel speed	24 mm / sec
Pinion rotation speed	30 min ⁻¹
Damper rotation frequency	One rotation in the CW and CCW directions, respectively
Durability	100,000 cycles

Temperature characteristics



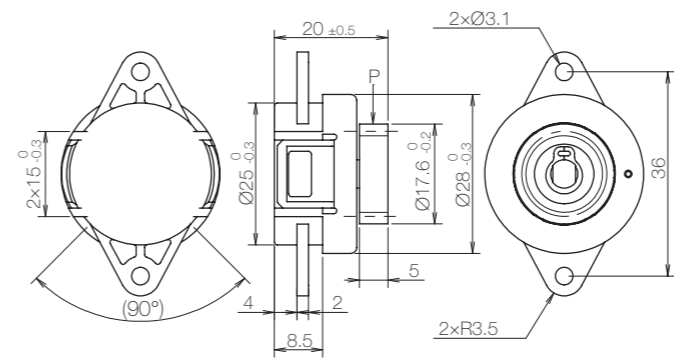
The torque achieved during rotation at 30 min⁻¹ in the designated ambient temperature is shown.

Speed characteristics

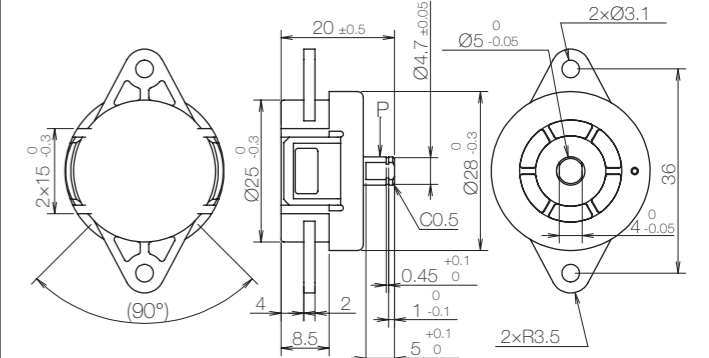


Product information

TD62



TD62(G-L)



* The dimensions of the shaft of bidirectional type products are different from the one shown in the catalog. Please contact us.

* General tolerance: ±0.3

Gear specifications

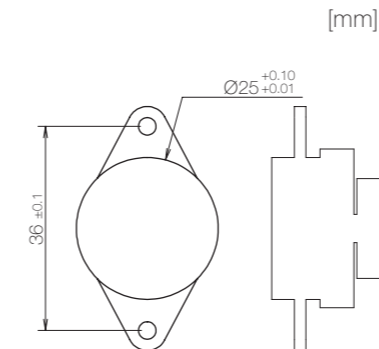
Type	Standard spur gear
Tooth profile	Involute and full depth tooth
Module	1
Pressure angle	20°
Number of teeth	15
P.C.D[mm]	Ø 15
Addendum modification	+0.3
Base tangent length/Number	4.84 / 2

- Product weight: Approx. 15 g (With gear)
- Allowable radial load (P): 13.4 N

Main materials

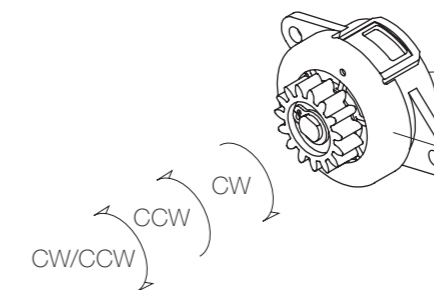
Housing	Plastic (POM)	
Cap	Plastic (POM)	
Gear	Plastic (POM)	
Shaft	CW	Stainless steel (SUS)
	CCW	
	Bidirectional	Plastic (POM)

Dimensions related to mounting



Damping directions

Damping direction of the shaft



Damping direction	Printed mark
CW	R
CCW	L
Bidirectional	W

Damping direction	Cap color
CW	Dark gray
CCW	Gray
Bidirectional	Dark gray