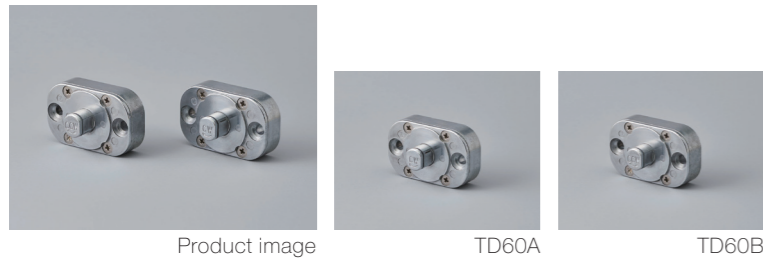


Product lineup



Features

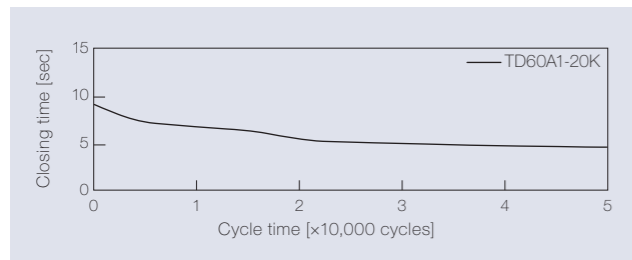
- The thinnest products for horizontal use
- Space-saving design
- High rigidity achieved by the use of zinc alloy

Product name	Torque [N·m] (lb·in)	Damping direction
TD60A1-5K	0.49 (4.34)	CW
TD60A1-10K	0.98 (8.67)	
TD60A1-15K	1.47 (13.01)	
TD60A1-20K	1.96 (17.35)	

Product name	Torque [N·m] (lb·in)	Damping direction
TD60B1-5K	0.49 (4.34)	CCW
TD60B1-10K	0.98 (8.67)	
TD60B1-15K	1.47 (13.01)	
TD60B1-20K	1.96 (17.35)	

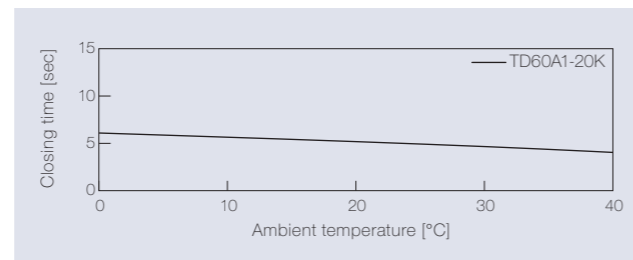
Product specifications

Durability



Torque	1.96 N·m (17.35 lbf·in)
Radial load	N/A
Angle range of closing time	70 to 0 deg.
Temperature	23 ± 2°C (73.4 ± 35.6°F)
Durability	50,000 cycles

Temperature characteristics



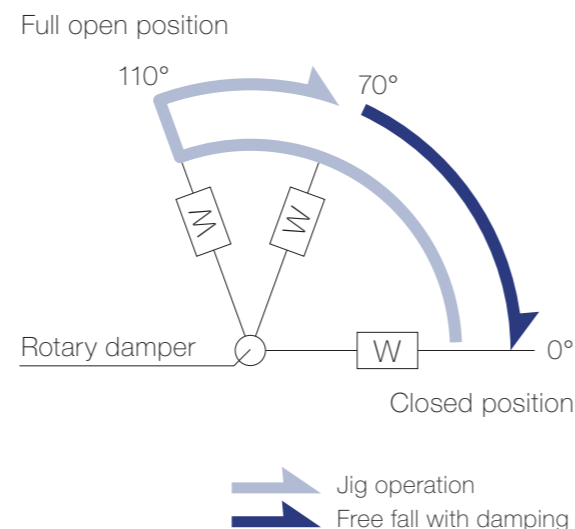
Measured according to the performance management testing method shown below after leaving in each designated ambient temperature for over one hour.

Performance management testing method

As the torque of partial rotation angle dampers is not consistent, the closing time measurement jig is used for the performance tests.

[Operation during measurement]
(Secures the housing of a rotary damper and moves its shaft.)
All rotary dampers are managed by the following closing time test.

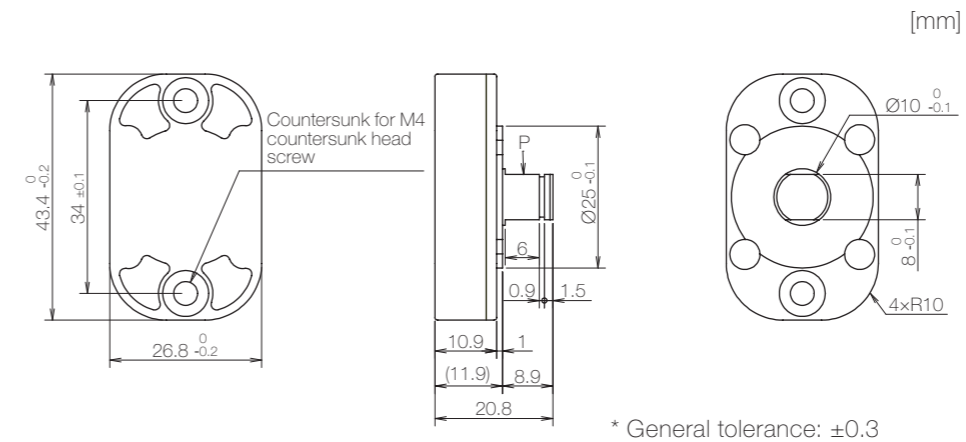
Test mode [110° → 70° (Pause) → (Free fall with damping) → 0°]
* Horizontal plane: 0°



Inspection specification before shipping

Type	Preset torque [N·m] (lb·in)	Closing time
5K	0.49 (4.34)	5 to 15 sec
10K	0.98 (8.67)	
15K	1.47 (13.01)	3 to 12 sec
20K	1.96 (17.35)	

Product information

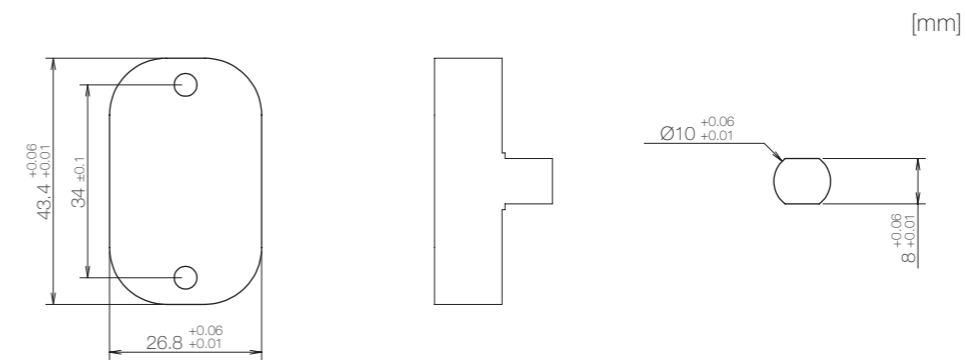


- Opening angle: 110°
- Product weight: Approx. 64 g
- Allowable radial load (P): 19.6 N

Main materials

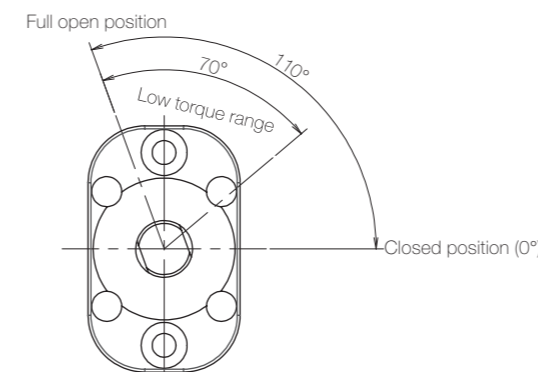
Housing	Zinc alloy (ZDC)
Cap	Zinc alloy (ZDC)
Shaft	Zinc alloy (ZDC)
Screw	Stainless steel (SUS)

Dimensions related to mounting

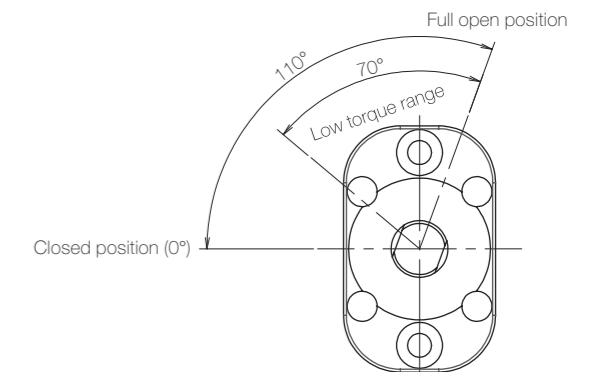


Opening angle

TD60A



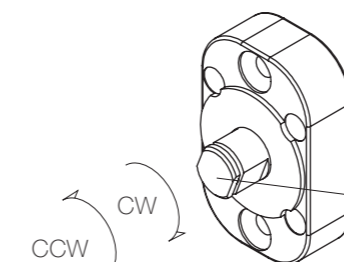
TD60B



* Shaft position at the time of shipping: Closed position

Damping directions

Rotation directions of the shaft to which torque is applied



* Housing secured / Shaft rotatable

Damping direction	Engraved mark
CW	CW
CCW	CCW