

## Product lineup



Product image



TD38A



TD38B

### Features

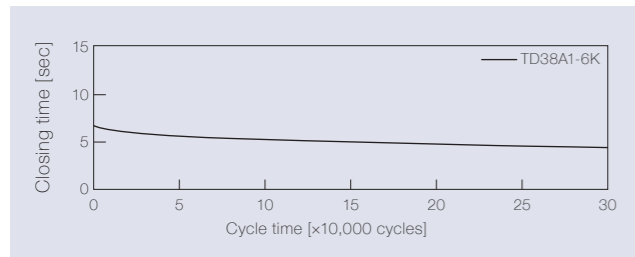
- Longselling vertical use type rotary dampers
- Allowable opening angle of 180°
- Durable for 300,000 cycles
- Wide temperature range for operation (-15°C to 60°C)

Product name	Torque [N·m] (lbf·in)	Damping direction	Housing color	Cap color
TD38A1-1.5K(R)	0.15 (1.33)	CW	Brown	Black
TD38A1-3K(R)	0.29 (2.57)		Black	Black
TD38A1-6K(R)	0.59 (5.22)		Purple	Black

Product name	Torque [N·m] (lbf·in)	Damping direction	Housing color	Cap color
TD38B1-1.5K(L)	0.15 (1.33)	CCW	Brown	Purple
TD38B1-3K(L)	0.29 (2.57)		Black	Purple
TD38B1-6K(L)	0.59 (5.22)		Purple	Purple

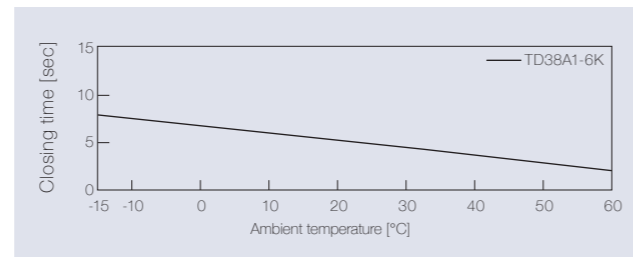
## Product specifications

### Durability



Torque	0.59 N·m (5.22 lbf·in)
Radial load	N/A
Angle range of closing time	160 to 10 deg.
Temperature	23 ± 2°C (73.4 ± 35.6°F)
Durability	300,000 cycles

### Temperature characteristics



Measured according to the performance management testing method shown below after leaving in each designated ambient temperature for over one hour.

### Performance management testing method

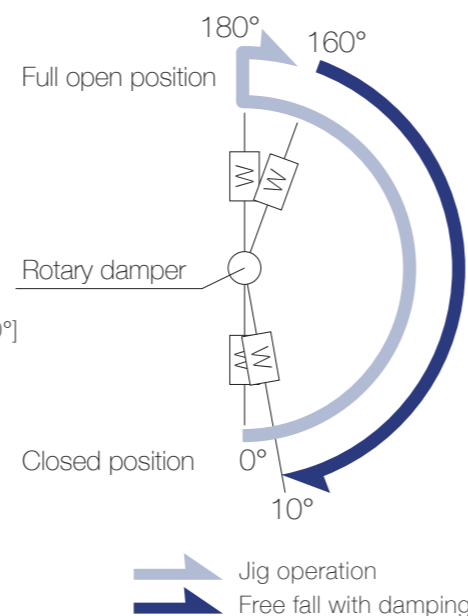
As the torque of partial rotation angle dampers is not consistent the closing time measurement jig is used for the performance tests.

[Operation during measurement]  
(Secures the housing of a rotary damper and moves its shaft.)  
All rotary dampers are managed by the following closing time test.

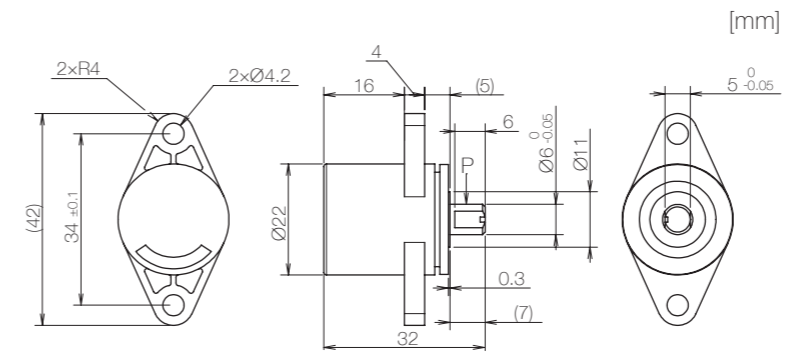
Durability test mode [160° → (Free fall with damping) → 0°]  
Shipping inspection mode [180° → 160° (Pause) → (Free fall with damping) → 10°]  
\* Horizontal plane: 90°

### Inspection specification before shipping

Type	Preset torque [N·m] (lbf·in)	Closing time
1.5K	0.15 (1.33)	2 to 10 sec
3K	0.29 (2.57)	
6K	0.59 (5.22)	



## Product information



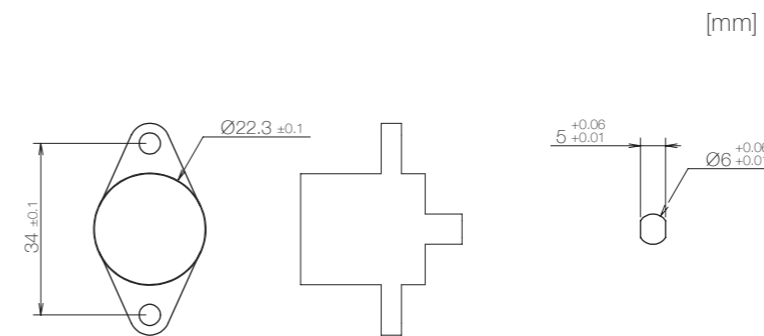
\* General tolerance: ±0.3

- Opening angle: 180°
- Product weight: Approx. 20 g
- Allowable radial load (P): 29.4 N

### Main materials

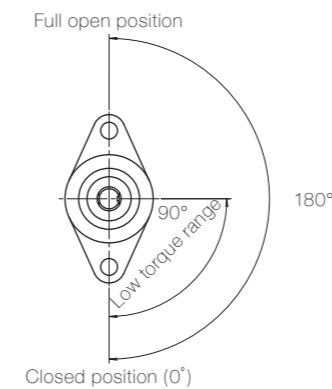
Housing	Plastic (POM)
Cap	Plastic (POM)
Shaft	Zinc alloy (ZDC)

## Dimensions related to mounting

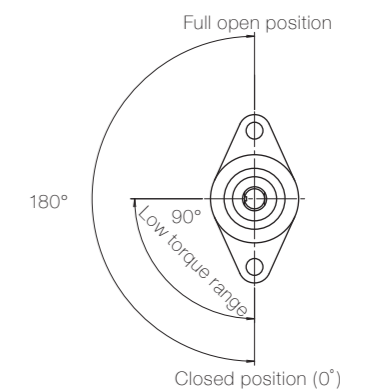


## Opening angle

### TD38A



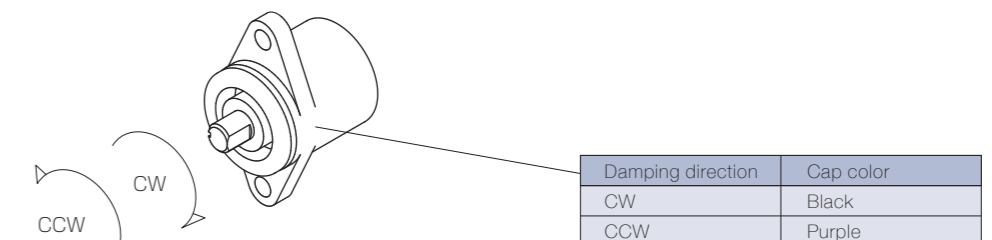
### TD38B



\* Shaft position at the time of shipping: Closed position

## Damping directions

### Rotation directions of the shaft to which torque is applied



\* Housing secured / Shaft rotatable

Damping direction	Cap color
CW	Black
CCW	Purple